

30 WATT P.A. AMPLIFIER

features

- Designed for a marine environment.**
- Rugged construction**
- 30 Watts RMS output**
- Low distortion**
- 8 Ohm or 70V output**
- Optional level compression**



description

This unit is a component of the ICM300/350 series of intercom systems. It provides up to 30 Watts of audio power to drive either loud-hail or P.A. speakers.

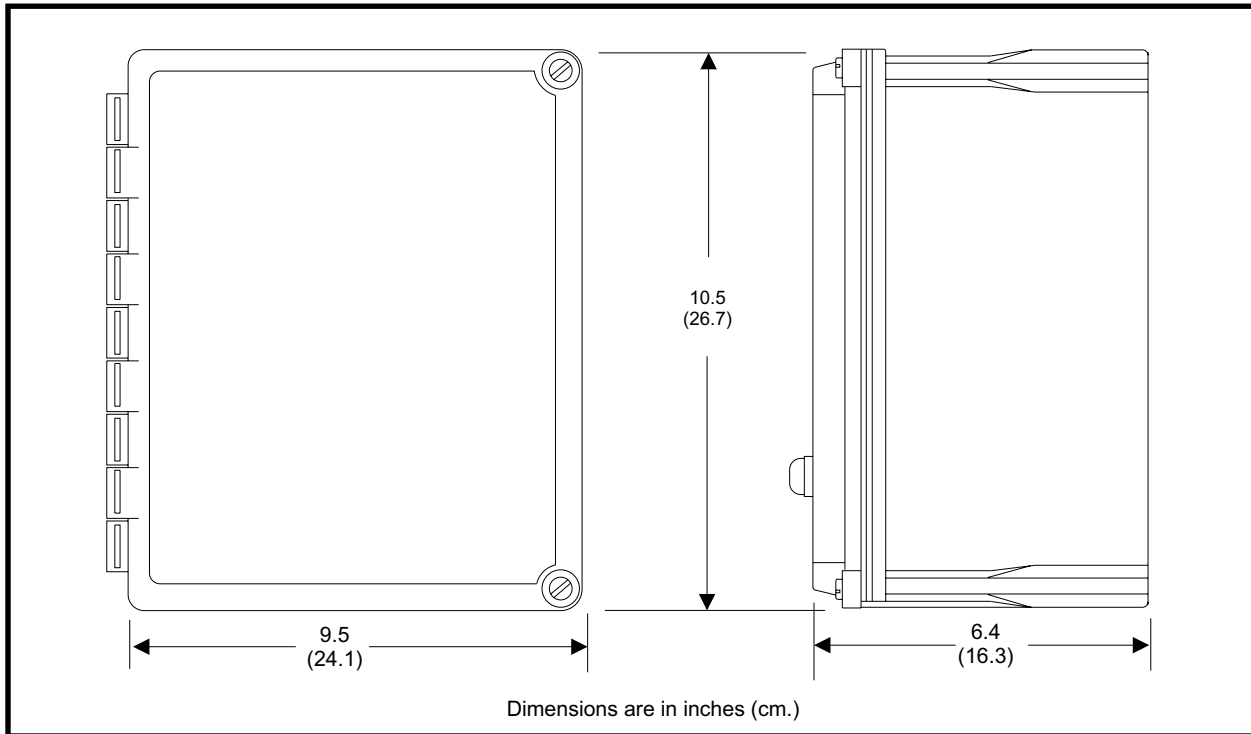
This station is compatible with all other stations in the 300/350 series and, as such, appears as a standard station. Where additional power is required, a number of these amplifiers may be connected in parallel.

The standard output is 8 Ohms but the unit can be supplied with an optional 70 Volt output where multiple speakers are to be driven or where the distance between the amplifier and the speaker warrants this feature.

Another option available with this amplifier is a speech compressor. This limits the level of output regardless of the input signal. This feature is particularly useful in public address applications where variations in voice levels at the master station can be greatly reduced to give a constant sound level.

When not in active use, the output from the amplifier is disconnected from the speaker terminals by an internal relay. This feature prevents any annoying background noise or hum from being heard during periods of inactivity.

For further information on this and other products, please contact us by any of the following methods:
Telephone: (604) 980 2811, Fax: (604) 980 090, Internet: <http://www.nortek.com>, email: sales@nortek.com.



SPECIFICATIONS

Overall Height	0.5 inches (26.7 cm.)
Width	9.5 inches (24.1 cm.)
Depth.....	6.4 inches (16.3 cm.)
Weight	6.6 pounds (3.0 Kg.)
Supply Voltage	24-30 VDC
Input current (standby mode)	140 mA DC
Input current (30 Watt output)	1.8 ADC
Output power.....	30 Watts @ 28 VDC (8 Ohm load)
Distortion	< -55dB (30Watts output/28 VDC supply))
Input Sensitivity	370 mV RMS for 30 Watt output

The above specifications are subject to change. Nortek Electronics Ltd. reserves the right to modify products at any time.