

CBBS0050 Dual Dimmer

features

- 2 Independent channels.**
- Switchmode regulators.**
- Short circuit protection.**
- Individual enabling.**
- Programmable operation.**
- Separate low limit adjustments.**
- 12 or 24 VDC models**

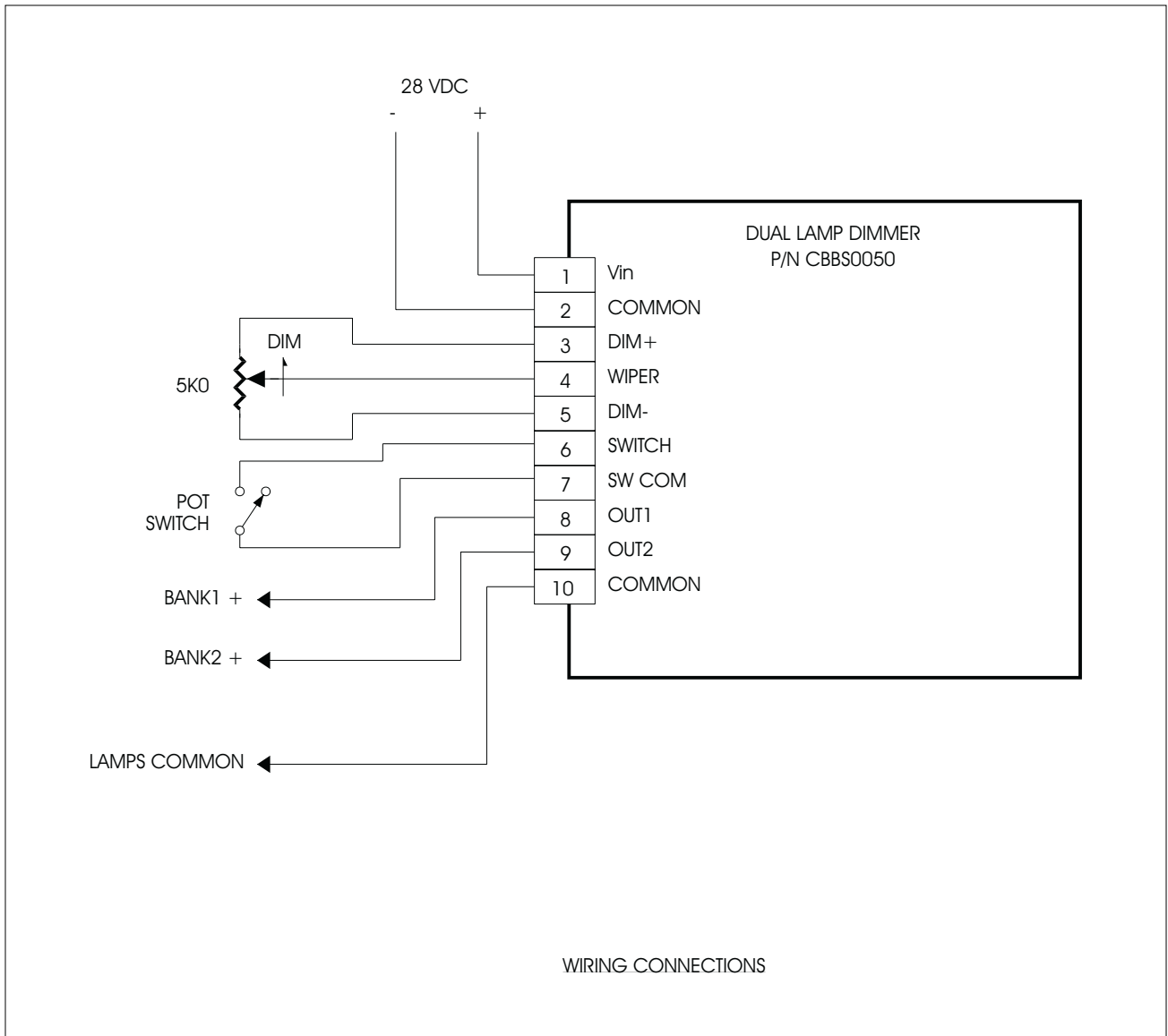


description

The Nortek model CBBS0050 is an two channel switchmode lamp dimmer. Both channels are controlled by a single potentiometer. Each channel operates as a switching voltage regulator to provide greater efficiency and minimal heat production.

To insure that the outputs both dim out at the same dimmer control setting, the board contains individual adjustments for the low level setpoint. This can be used to great advantage where there are different types of lamps installed (i.e. Incandescent and LEDs). By installing all incandescent lamps on one channel and all LEDs on the second, all lamps can be adjusted to dim out at the same time.

An inhibit input line is provided that allows a independent switch to control both channels. When this switch is closed, the two outputs are controlled by the dimmer potentiometer. When the switch is opened, each channel can be programmed to turn completely off or completely on. This feature can be used during daylight operation where some lamps (i.e. Status indication lamps) will be required to operate at full brightness while other (i.e. Backlight illumination) will be turned off.



SPECIFICATIONS

| | |
|---|--|
| Size | 6.25" X 3.1" X 1.4" (15.9 X 7.9 X 3.6 cm) |
| Weight | 0.35 lbs (160 g) |
| Power supply voltage | 12 to 28 VDC |
| Number of output channels | 2 |
| Maximum output current per channel | 2.5A |
| Switch control | Independent for each channel |
| Low limit adjust | Independent for each channel |