

293 Mansfield Place
North Vancouver, B.C.
Canada V7J 1E4

Water Tight Hands Off Talk Back Station

features

- Designed for a marine environment.**
- Water tight construction**
- "Hands off" operation.**
- Internal speaker amplifier.**
- Pre-amplified talk back signal.**
- Single or optional multiple station call switches.**



description

This unit is a component of the ICM300/350 series of intercom systems. It is a talk back station capable of operating in a harsh marine environment. All external components are non corrosive resin or stainless steel construction. The internal components are sealed for additional protection.

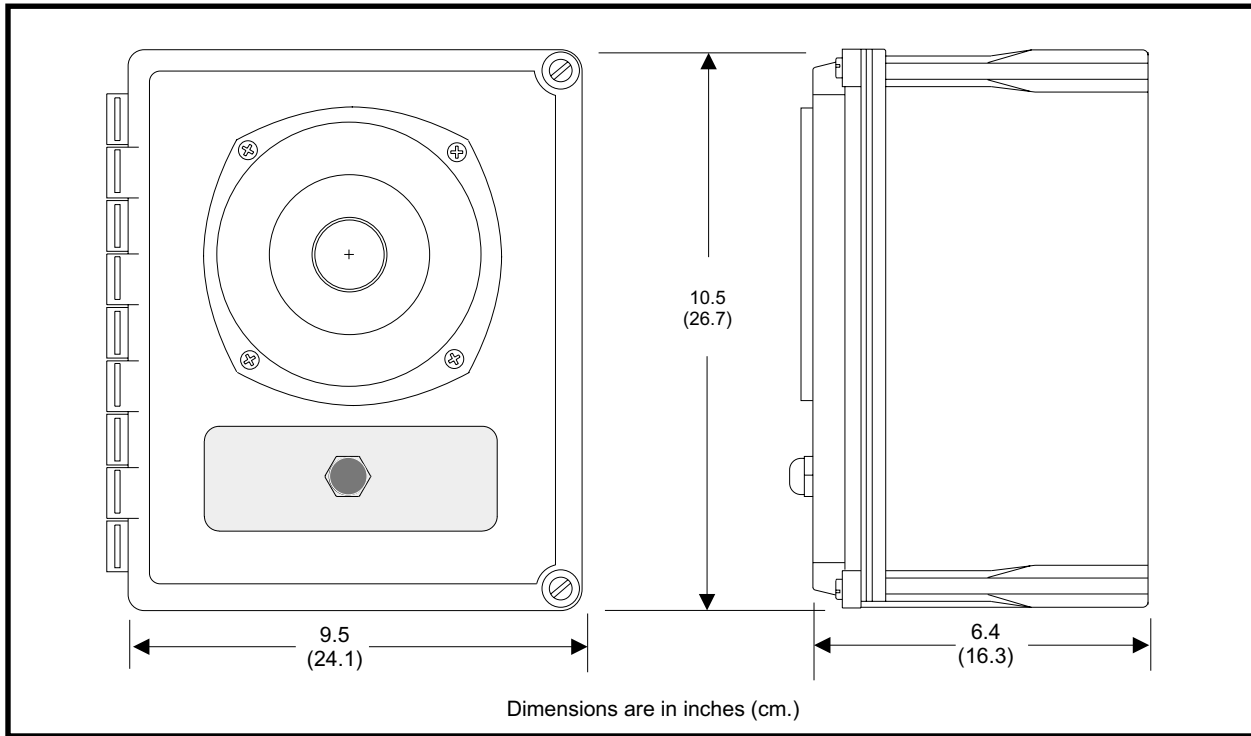
This station is designed to operate in the "hands off" mode where the direction of communication is controlled by another station. As an option, it is possible to supply this unit with a press-to-talk switch where it is to be used in direct communications with other hands off units.

The standard model of this unit contains a single Call switch which is used to initiate a call to a pre determined location. Additional call switches can be included where the system permits multiple station calls from a remote.

A bi-directional amplifier units is included within this station. It amplifies both the speaker signal as well as the talk-back signal. In the talk back mode, this reduces the effect of induced electrical noise on long cable runs.

This unit is designed for surface mounting on a vertical plane. Where there is the possibility of excessive vibration, shock mounting should be incorporated to reduce the amount if acoustical noise transfer to the speaker in the talk-back mode.

For further information on this and other products, pleas contact us by any of the following methods:
Telephone: (604) 980 2811, Fax: (604) 980 090, Internet: <http://www.nortek.com>, email: sales@nortek.com.



SPECIFICATIONS

Overall Height.....	10.5 inches (26.7 cm.)
Width.....	9.5 inches (24.1 cm..)
Depth.....	6.4 inches (16.3 cm.)
Weight.....	6.6 pounds (3.0 Kg.)
Speaker.....	10 Watts, 8 Ohm Waterproof Horn.
Amplifier output power.....	1.2 Watts
Sound Level.....	115 dB at 1 foot (1 KHz. sine wave)
Input Voltage.....	14 to 24 VDC.
Input Current (standby, listen mode).....	40 mA.
Input Current (standby, talk-back mode).....	20 mA.
Input Current (full power, listen mode).....	375 mA.
Voltage gain (talk-back mode).....	400 maximum (adjustable)
Input Sensitivity (listen mode).....	7 mV RMS maximum (adjustable)

The above specifications are subject to change. Nortek Electronics Ltd. reserves the right to modify products at any time.